

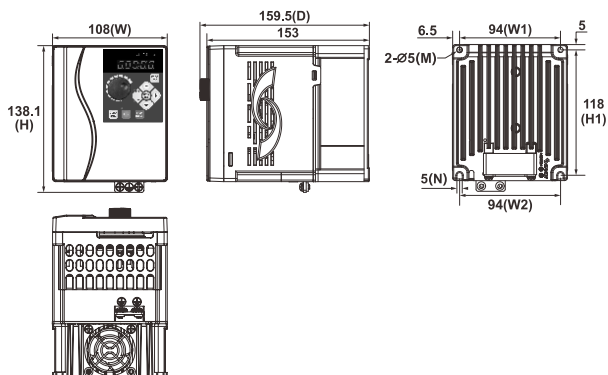
# 变频器外形尺寸图

## External Dimensions of Inverter

Size 1

Unit: mm

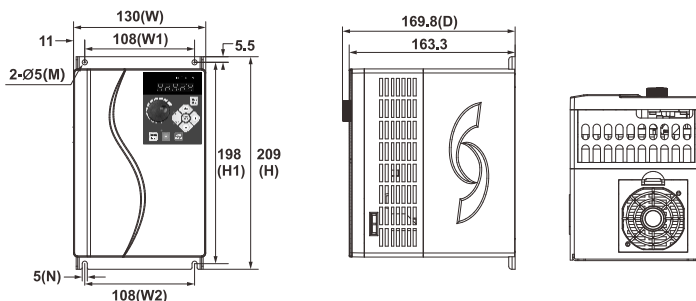
2T0.4G ~ 2T1.5G  
4T0.75G/1.5P ~ 4T2.2G/4.0P



Size 2

Unit: mm

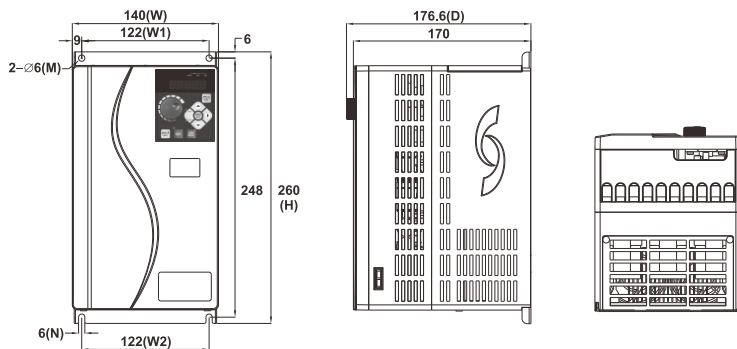
2T2.2G ~ 2T4.0G  
4T4.0G/5.5P ~ 4T7.5G



Size 3A

Unit: mm

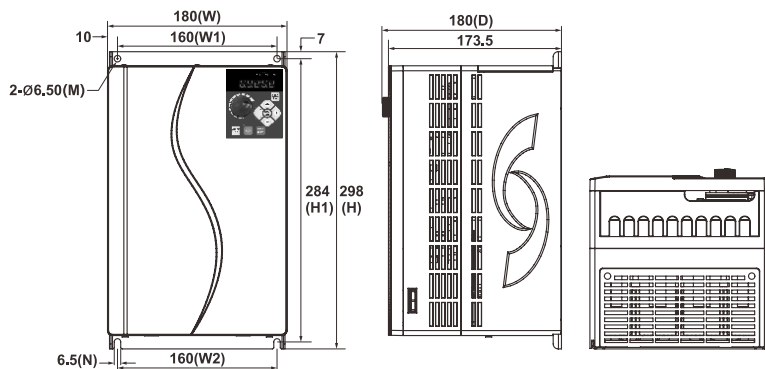
4T7.5G/11P~4T15G



Size 3

Unit: mm

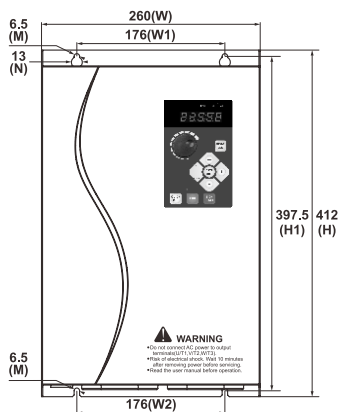
2T5.5G~2T7.5G  
4T7.5G/11P~4T22G



Size 4

Unit: mm

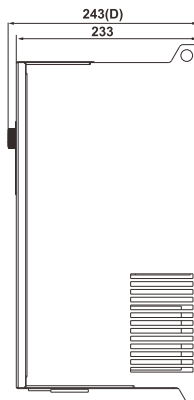
2T11G~2T18.5G  
4T22G/30P~4T37G/45P



Size 5A

Unit: mm

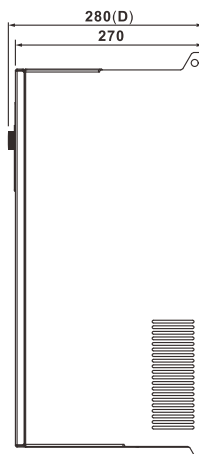
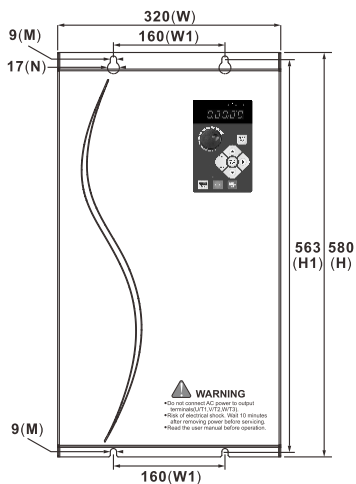
2T22G  
4T45G/55P



Size 5

Unit: mm

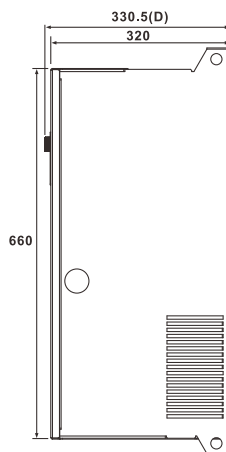
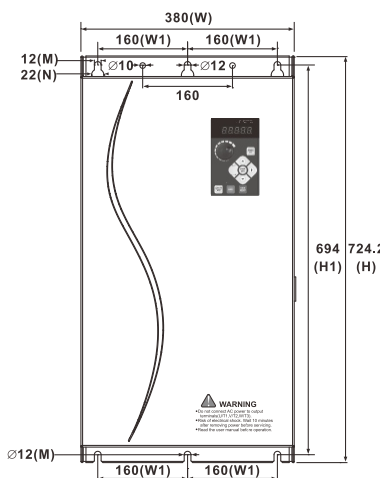
2T30G~2T55G  
4T55G/75P~4T110G



Size 6A

Unit: mm

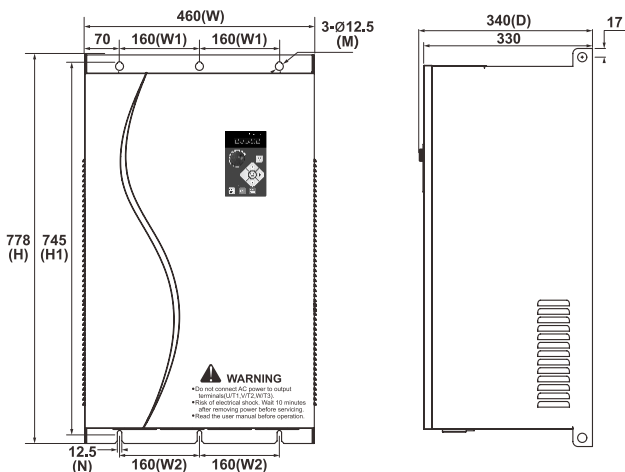
4T110G/132P~4T160G



Size 6

Unit: mm

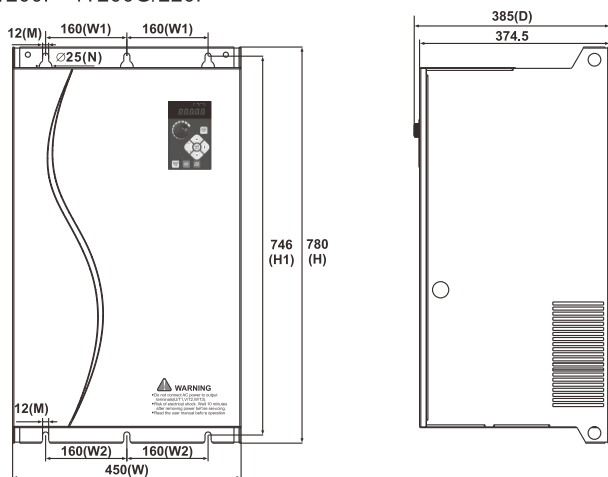
4T110G/132P~4T160G



Size 7A

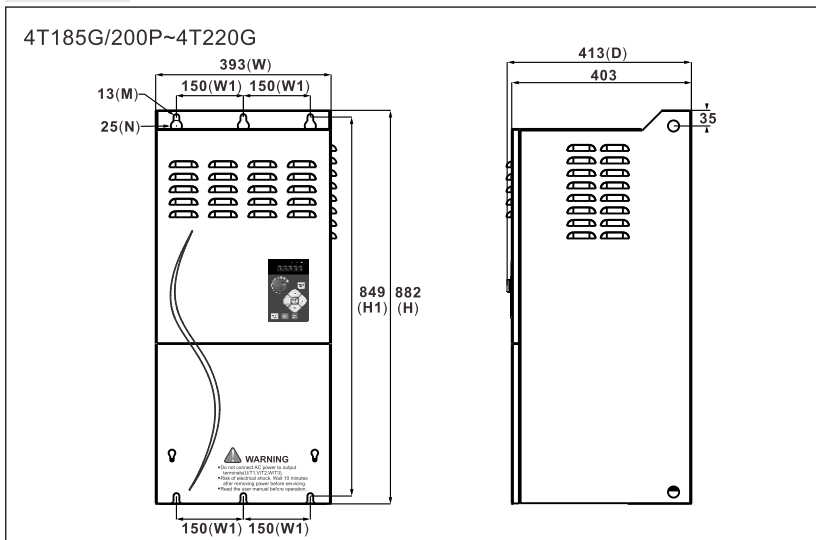
Unit: mm

4T185G/200P~4T200G/220P



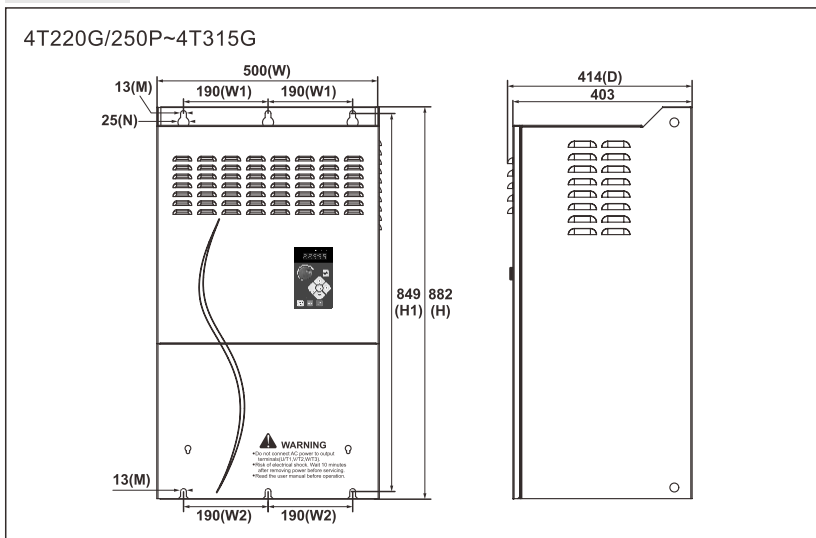
Size 7

Unit: mm



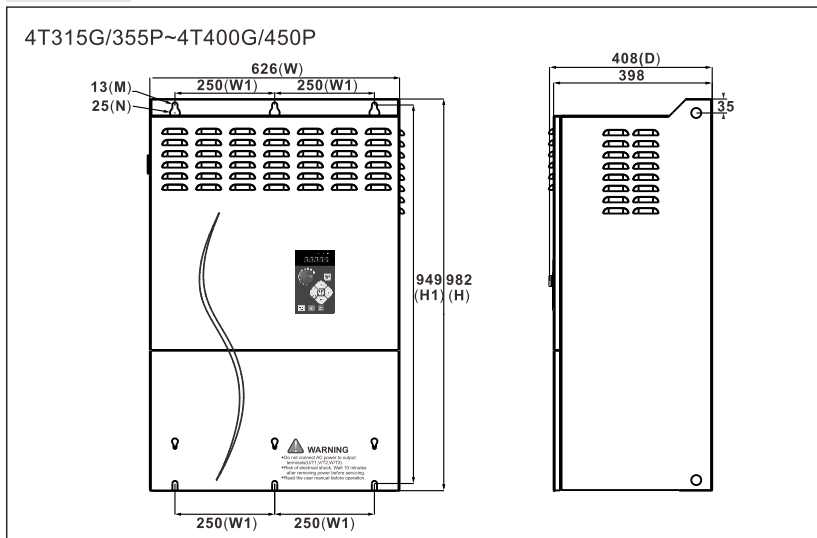
Size 8

Unit: mm



Size 9

Unit: mm



Size 10

Unit: mm

